

SGS 1.1

VEGETABLE CENTRIFUGE



■
Basket capacity
up to 10 kg/h

■
Canteens

■
Refectory

■
Agricultural
business

■
Food
processing
industry

- Stable machine housing in reinforced stainless steel
- Blasted with glass bead finish
- Machine feet adjustable in height
- Drive of the spin basket with frequency-controlled gear motor, with toothed belt drive and electric motor brake
- Digital control infinitely variable speed control from 100-700 U/min
- Adjustable spin time – 10 programmable memory locations
- Automatic right/left running with stop time
- Ergonomic loading and unloading of the machine

TECHNICAL DATA

Power supply 230 V, 50 Hz
3 m cable with CEE Euro plug

Output (kW) 0.55

Fuse protection (A) 16 (slow)

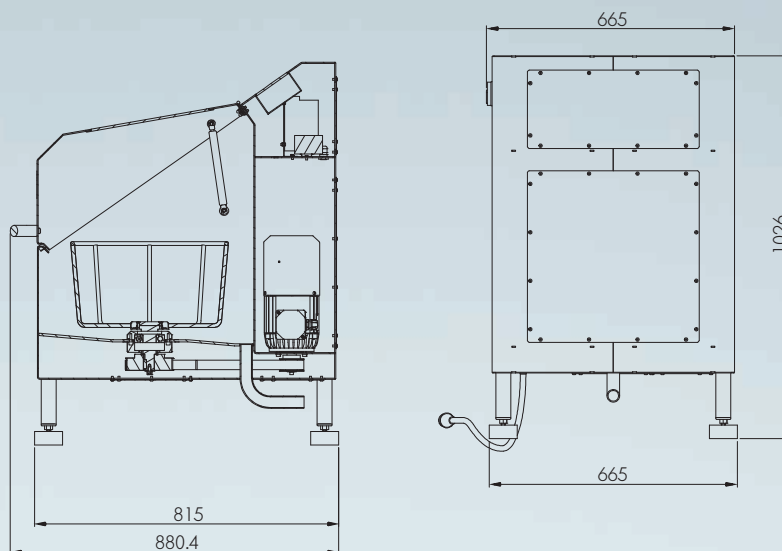
Ingress protection IP 54 (splash-proofed)

Infinitely variable speed control (rpm) 100-700 (variable)

Spinning time (s) 0-180 (variable)

Dimensions (L x W x H) 665 x 880 x 1026 mm

Weight (kg) 100



SGS 1.1 Vegetable centrifuge

PROCESSING CAPACITY

Basket volume* (kg) max. 10

Output (kg/h) 150

*dependent on product

The figures shown here are for illustration only and may deviate from the actual design version. Technical alterations are reserved. For additional accessories please refer to our price list.