

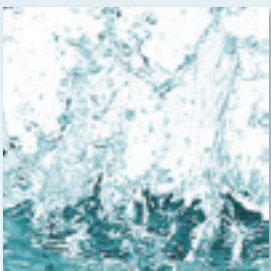
# SWA

## RANGE

### SALAD AND VEGETABLE WASHING MACHINES/CENTRIFUGE



- Washing capacity up to 200 kg/h
- Gastronomy
- Party services
- Canteens
- Refectory
- Commercial kitchens
- Food processing industry



Innovative water roller for optimal cleaning



Three preset functions and seven programmable functions



Optimized washroom filling for gentle washing even for sensitive products

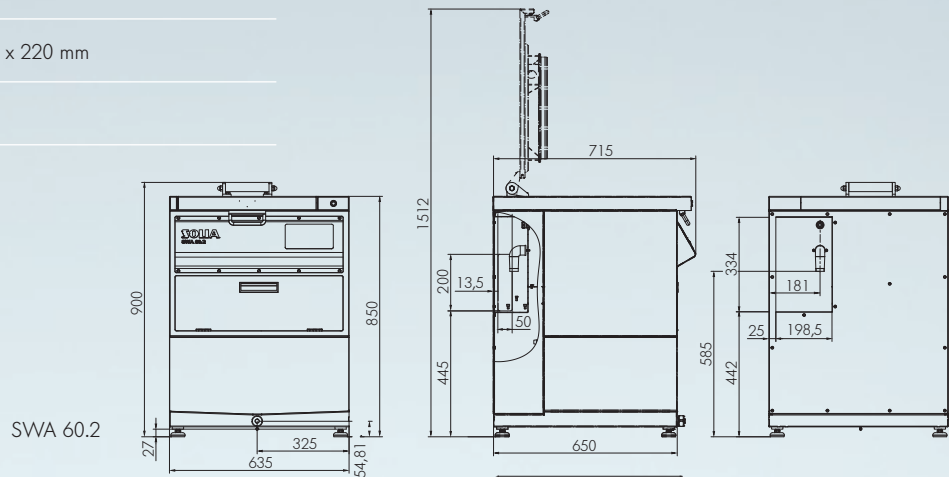
- Units made of stainless steel
- Gentle and extremely thorough wash and spin cycle in a single step
- Efficient rinsing process for remaining dirt particles
- Continuous regeneration and fresh water supply
- Highly efficient fine sieve to filter small particles
- Fully automatic washing process with range of programs
- Excellent ecological and economic benefits



## SWA 60.2 FOR SMALLER VOLUMES UP TO 80 kg/h

### TECHNICAL DATA

Power supply	230 V, 50 Hz, 1.8 m cable with CEE Euro plug
Water connection	Tube R 1/2"
Water drainage	DN 50 (not included)
Output (kW)	1.2
Fuse protection (A)	16
Ingress protection	IP 54 (splash-proofed)
Infinately variable speed control (rpm)	0-600 (variable)
Minimum water consumption per washing cycle (l)	ca. 4-5
Capacity, storage container (l)	70
Dimensions (L x W x H)	635 x 715 x 850 mm
Basket dimensions (RD x T)	370 x 220 mm
Weight (kg)	120



### PROCESSING CAPACITY

Lettuce, vegetables, fruit	Capacity in kg – approx	Head of lettuce approx.	kg/h – approx.	Product washed = 1 and centrifuged = 2
Lettuce	0.7-0.9	2-3	> 25	2
Lollo Rosso	0.8-1.0	3-4	> 28	2
Field salad	0.8-1.1		> 31	2
Endive cut	> 1.5	4-5	> 50	2
Tomato	5.0-6.0		> 240	1
Apple	5.0-6.5		> 260	1
Strawberry	2.5-3.0		> 120	1

More product examples, which can be processed with the SWA 60:  
Iceberg lettuce, radicchio, cress, spinach, cabbage, cucumbers, cauliflower, pears, oranges, lemons, mushrooms, radishes, peppers, parsley, fennel, leek, celery, broccoli, zucchini, etc.

The figures shown here are for illustration only and may deviate from the actual design version. Technical alterations are reserved. For additional accessories please refer to our price list.

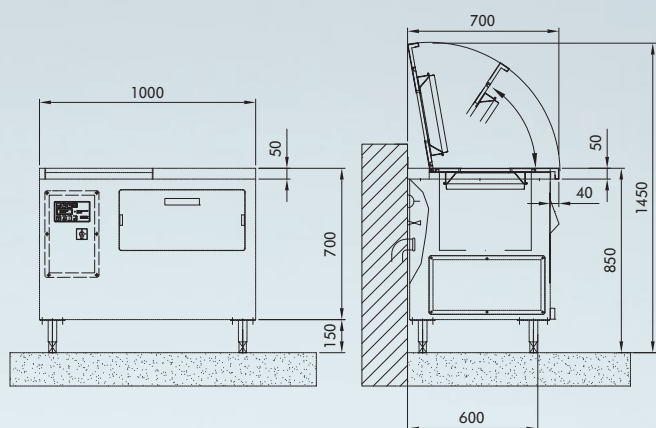
## SWA 75.2 FOR MEDIUM VOLUMES UP TO 100 kg/h

### TECHNICAL DATA

Power supply	230 V, 50 Hz, 1.8 m cable with CEE Euro plug
Water connection	Tube R 1/2"
Water drainage	DN 50 (not included)
Output (kW)	1.1
Fuse protection (A)	16
Ingress protection	IP 54 (splash-protected)
Infinitely variable speed control (rpm)	0-600 (variable)
Minimum water consumption per washing cycle (l)	ca. 5-6
Capacity, storage container (l)	105
Dimensions (L x W x H)	1000 x 700 x 850 mm
Basket dimensions (RD x T)	370 x 290 mm
Weight (kg)	120



SWA 75.2



### PROCESSING CAPACITY

Lettuce, vegetables, fruit	Capacity in kg – approx	Head of lettuce approx.	kg/h – approx.	Product washed = 1 and centrifuged = 2
Lettuce	0.9-1.1	3-4	> 31	2
Lollo Rosso	1.0-1.2	4-5	> 34	2
Field salad	1.1-1.4		> 40	2
Endive cut	> 2.3	5-6	> 65	2
Tomato	7.0-8.5		> 340	1
Apple	7.5-9.0		> 360	1
Strawberry	3.5-4.2		> 170	1

More product examples, which can be processed with the SWA 75.2:

Iceberg lettuce, radicchio, cress, spinach, cabbage, cucumbers, cauliflower, pears, oranges, lemons, mushrooms, radishes, peppers, parsley, fennel, leek, celery, broccoli, zucchini, etc.

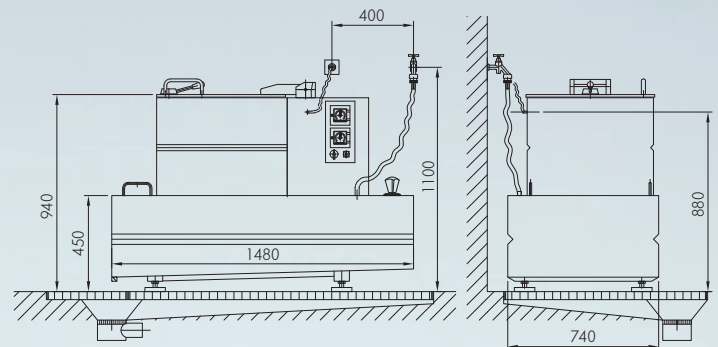
## SWA 100.2 FOR LARGE VOLUMES UP TO 200 kg/h

### TECHNICAL DATA

Power supply	230 V, 50 Hz, 1.8 m cable with CEE Euro plug
Water connection	Tube R 3/4"
Water drainage	Floor channels
Output (kW)	1.5
Fuse protection (A)	16
Ingress protection	IP 54 (splash-proofed)
Ininitely variable speed control (rpm)	0-600 (variable)
Minimum water consumption per washing cycle (l)	ca. 8-10
Capacity, storage container (l)	330
Dimensions (L x W x H)	1480 x 740 x 940 mm
Basket dimensions (RD x T)	500 x 220 mm
Weight (kg)	250



SWA 100.2



### PROCESSING CAPACITY

Lettuce, vegetables, fruit	Capacity in kg – approx	Head of lettuce approx.	kg/h – approx.	Product washed = 1 and centrifuged = 2
Lettuce	1.5-1.7	7-9	> 48	2
Lollo Rosso	1.7-1.9	8-10	> 53	2
Field salad	1.7-2.1		> 59	2
Endive cut	> 3.5	8-11	> 100	2
Tomato	10.0-12.0		> 480	1
Apple	11.0-13.0		> 500	1
Strawberry	5.0-6.5		> 260	1

More product examples, which can be processed with the SWA 100.1:  
Iceberg lettuce, radicchio, cress, spinach, cabbage, cucumbers, cauliflower, pears, oranges, lemons, mushrooms, radishes, peppers, parsley, fennel, leek, celery, broccoli, zucchini, etc.

The figures shown here are for illustration only and may deviate from the actual design version. Technical alterations are reserved. For additional accessories please refer to our price list.