

SGS 2.0

VEGETABLE CENTRIFUGE



Representation

■
Basket capacity
up to 10 kg/h

■
Canteens

■
Refectory

■
Agricultural
business

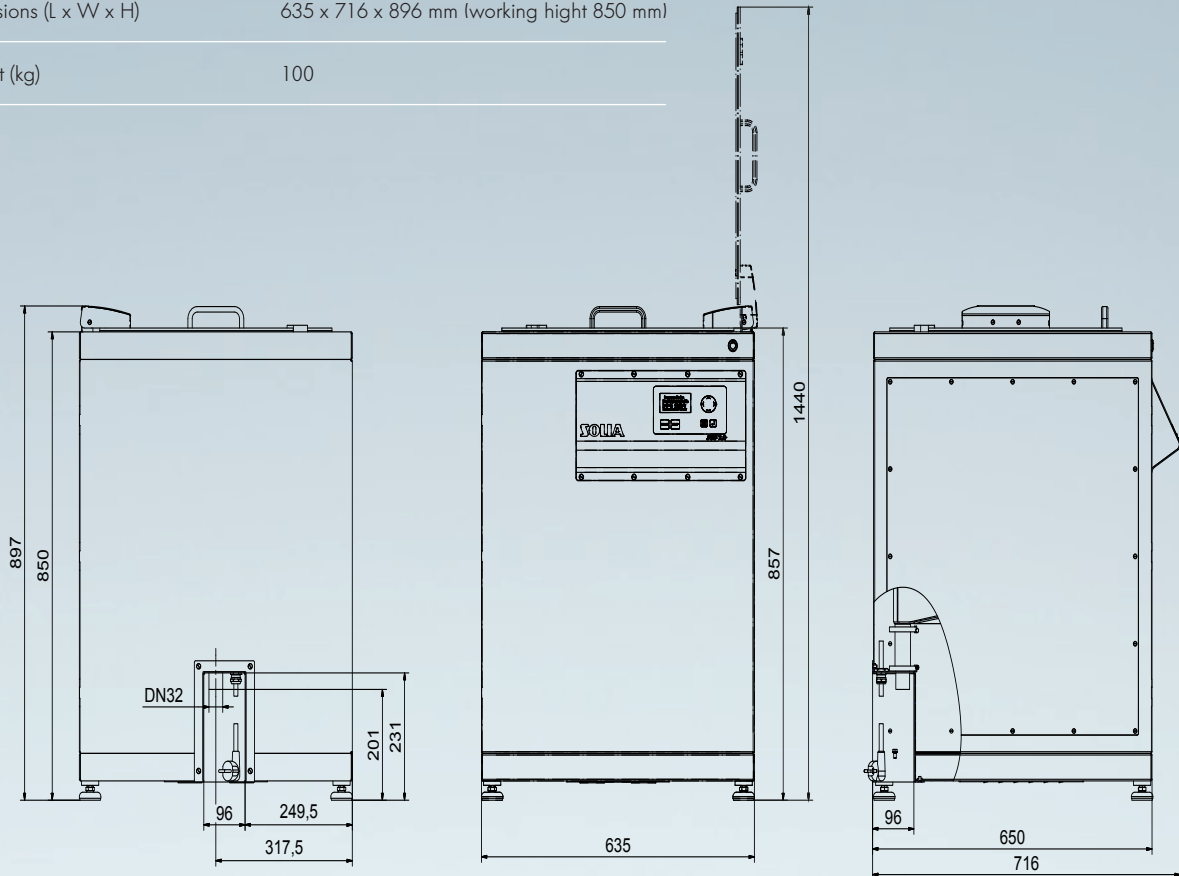
■
Food
processing
industry

- Stable machine housing in reinforced stainless steel
- Surface grinded
- Machine feet adjustable in height
- Drive of the spin basket with frequency-controlled gear motor and electric motor brake
- Digital control infinitely variable speed control from 100-700 U/min
- Adjustable spin time – 10 programmable memory locations
- Automatic right/left running with stop time
- Ergonomic loading and unloading of the machine



TECHNICAL DATA

Power supply	230 V, 50 Hz 3 m cable with CEE Euro plug
Output (kW)	0.55
Fuse protection (A)	16 (slow)
Ingress protection	IP 54 (splash-proofed)
Infinitely variable speed control (rpm)	100-700 (variable)
Spinning time (s)	0-180 (variable)
Dimensions (L x W x H)	635 x 716 x 896 mm (working height 850 mm)
Weight (kg)	100



Abwasseranschluß DN32
Stromanschluß 230V Schuko

SGS 2.0 Vegetable centrifuge

PROCESSING CAPACITY

Basket volume* (kg)	max. 10
Output (kg/h)	150

*dependent on product

The figures shown here are for illustration only and may deviate from the actual design version. Technical alterations are reserved. For additional accessories please refer to our price list.