

AWWRS 300S

GRATER SHREDDER SUPERIOR



Throughput
up to 3000 kg/h

Food
processing
industry

Delicatessen
manufactures



The geometry of the numerous, inward-facing blades of the shredding cylinder determines the geometry of the final product



A rotating carrier wing presses the raw material up against the inside of the grating or shredding cylinder. It is then crushed and the final product leaves the cylinder through the holes.

**Several special
executions
or customization
of designs
are available
on request**

- Modular building concept, easy to use
- For grating, shredding, loosening and granulating hard raw materials, dry or moist
- All Parts made of stainless steel
- Attachments and Accessories HACCP compliant
- Integration in processing lines
- High-performance motor with automatic safety cut – off switch
- Easy-to-use for change of attachments without special tools
- Regulated FU

SELECTION OF ACCESSORIES



Carrier wing,
stainless steel
143943

Carrier wing
Special design consists of:
carrier wing modified,
with screw cap with plate,
stainless steel 1008405



Grating cylinders,
stainless steel
1 mm, all around perforated
930 070 111

1.5 mm, all around perforated
930 070 112

1.5 mm, special perforated
e.g. for Parmesan
930 070 113



Grating cylinders,
stainless steel
2 mm, all around perforated
930 070 211

2 mm, special perforated
e.g. for Parmesan
930 070 212



Grating cylinders,
stainless steel
3 mm, all around perforated
930 070 311

4 mm, all around perforated
930 070 411

6 mm, all around perforated
930 070 611



Shredding cylinders,
stainless steel
2 mm, all around perforated
930 071 211

3 mm, all around perforated
930 071 311



Shredding cylinders,
stainless steel
4 mm, all around perforated,
930 071 411

6 mm, all around perforated
930 071 611



Shredding cylinder,
stainless steel
8 mm, all around
perforated 930 071 811

10 mm, all around
perforated 930 071 911
12 mm, all around
perforated 930 071 916

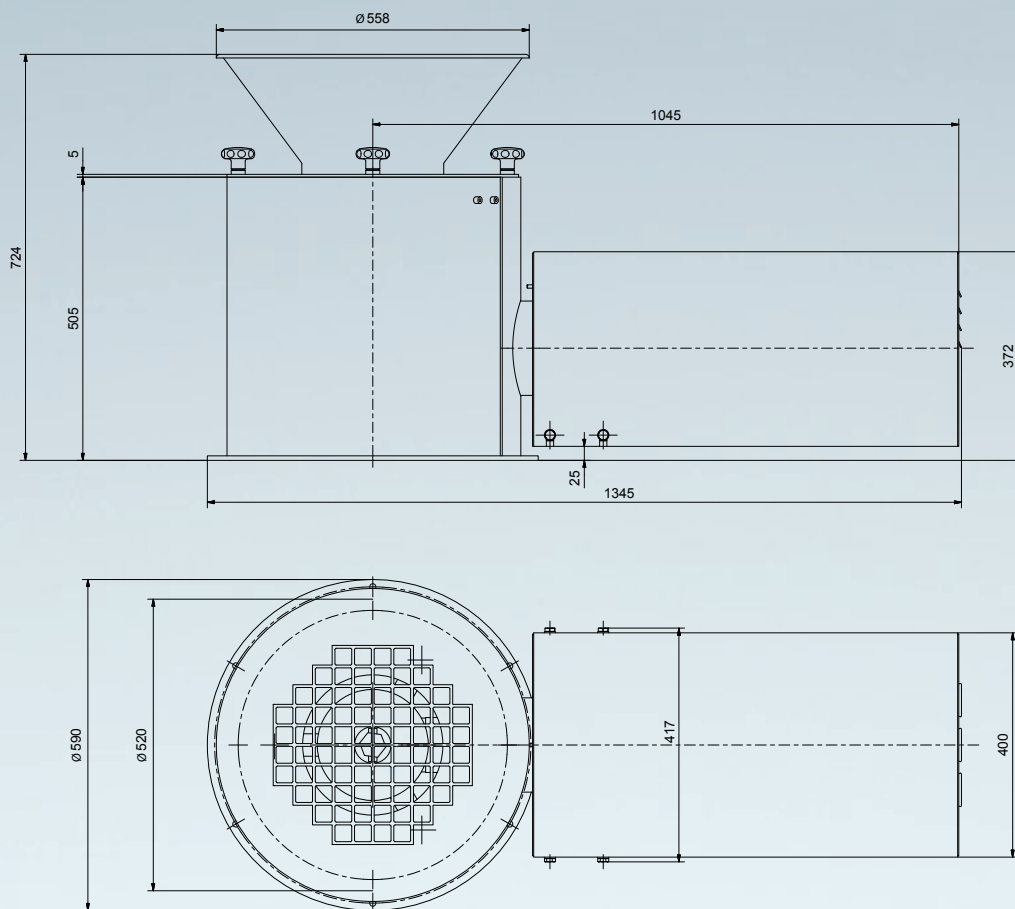


Potato grating cylinder,
stainless steel, crown
toothed
930 072 011

Potato pancake cylinder,
stainless steel
partly crown-toothed
930 072 012

TECHNICAL DATA

Power supply	400 V / 50 Hz, cable with CEE plug
Output (kW)	5.5
Fuse protection (A)	32
Ingress protection	IP 65
Infinitely variable speed control (rpm)	-180
Dimensions (L x W x H)	1345 x 590 x 725 (without trolley and without control)
Weight (kg)	290



AW RS 300 Grater shredder

