

AWR5

"TEDDY" PLANETARY STIRRING AND BEATING UNIT



■
Stirring bowl with
5 litre capacity

■
Kitchens

■
Bakeries

■
Laboratories

FOUR STANDARD COLOURS



Red



White



Grey



Black

- Powerful beating, kneading and stirring
- Versatile, movable table model
- Attractive, ergonomic design
- Simple handling with multi-functional switch
- Hygienic, easy-to-clean stainless steel tools
- Stirring bowl with lid; 5 litre capacity
- Powerful 500 watt motor with overload protection
- Infinitely variable speed control
- Very low noise emission

SELECTION OF ACCESSORIES



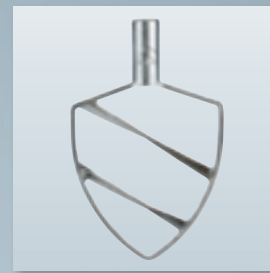
Stainless steel stirring bowl
stackable and fitted with
white plastic lid



Beating whisk,
including stainless steel wires
2.5 mm



Kneader, stainless steel



Stirrer, stainless steel

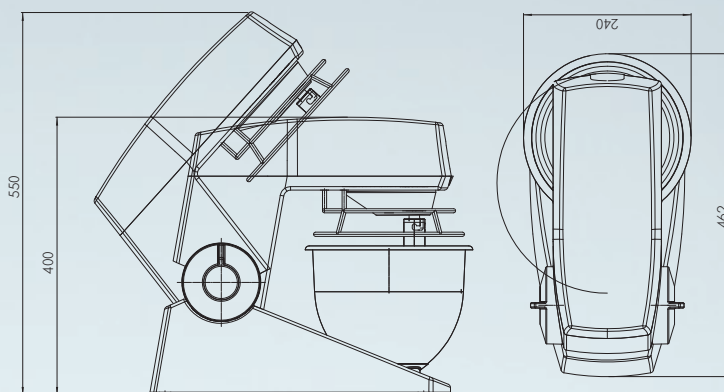
TECHNICAL DATA

| | |
|---|--|
| Capacity (l) | 5 |
| Power supply | 230 V, 50/60 Hz, 1.5 m cable with CEE Euro plug |
| Output (kW) | 0.5 |
| Ininitely variable speed control (rpm) | 78-422 |
| Dimensions (L x W x H) | 240 x 462 x 400 mm (max. 550 mm) |
| Weight (kg) | 18 |
| Reduced bowl size (l) | - |

Plastic splash guard
Without illustration

Feeding chute
Without illustration

AWR5 „Teddy“



PROCESSING CAPACITY

| Product | Tool | Max. quantity |
|-----------------------------|----------------|---------------|
| Bread dough (50%) (kg) | Kneader | 2.5 |
| Cake Base (kg) | Stirring whisk | 1 |
| Egg whites (l) | Stirring whisk | 0.7 |
| Madeira cake / muffins (kg) | Stirrer | 2.5 |
| Mayonnaise (l) | Stirring whisk | 4.4 |
| Mashed potatoes (kg) | Stirring whisk | 2.5 |
| Cream (l) | Stirring whisk | 1.5 |

The figures shown here are for illustration only and may deviate from the actual design version. Technical alterations are reserved. For additional accessories please refer to our price list.