

# ALEXANDERWERK

## RANGE POTATO WASHING AND PEELING MACHINES



From 100 kg  
up to 500 kg

Gastronomy

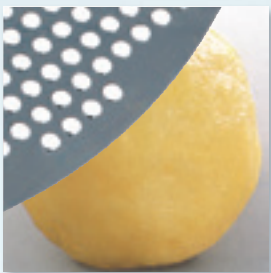
Hotels

Catering services

Canteens

Hospitals

Food processing  
industry



Perforated peeling discs  
Surface slightly uneven,  
minimal browning, longer  
peeling time



Peeling disc with fitted blades  
Smooth surface, peeled-by-  
hand quality, more waste,  
hardly any browning, shorter  
peeling time



Corundum peeling disc, ideal  
for peeling tuber vegetables  
Rough surface, minimal peeling  
waste, quick browning, short  
peeling time

- Solid, stable, rustproof design
- Safety switch-off of the cover (motor stop according to EU standard)
- Water saving regulation with high economic and ecological benefits (Water supply only with engine running)
- Choice of peeling processes with automatic peeling times
- Rubber-lined interior with cushioning effect ensures gentle processing
- Gentle emptying

## AW K RANGE TYPE OVERVIEW



**AW K 35.3**  
From 1000 servings.  
Commercial kitchens  
Food industry



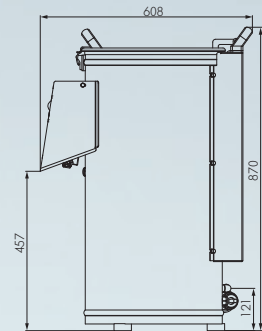
**AW K 8.3**  
For 100 to 600 servings.  
Gastronomy  
Hotels  
Catering services  
Canteens



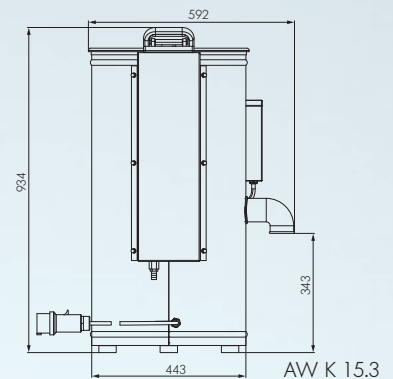
**AW K 15.3**  
For 500 to 1000 servings.  
Gastronomy  
Hotels  
Canteens  
Catering services  
Hospitals

### TECHNICAL DATA

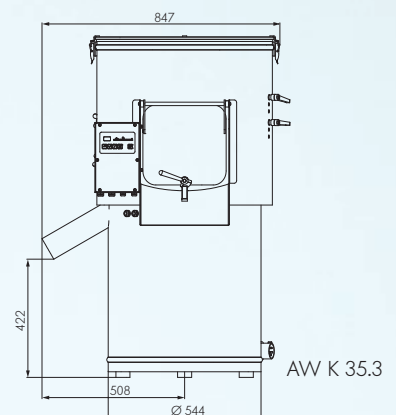
	AW K 8.3	AW K 15.3	AW K 35.3
Power supply	400 V, 50 Hz 2.7 m cable with CEE plug	400 V, 50 Hz 2.7 m cable with CEE plug	400 V, 50 Hz 3.5 m cable with CEE plug
Water connection	Tube R 1/2"	Tube R 1/2"	Tube R 1/2"
Output (kW)	0.55	0.55	2.2
Fuse protection (A)	16	16	16
Ingress protection	IP 54 (splash-proofed)	IP 54 (splash-proofed)	IP 54 (splash-proofed)
Infinitely variable speed control (rpm)	160/320	160/320	160/320
Water consumption papoxx. l/min	6-8	8-10	15
Dimensions (L x W x H)	540 x 608 x 870 mm	592 x 664 x 934 mm	847 x 891 x 1214 mm
Weight (kg)	42	50	169



AW K 8.3



AW K 15.3



AW K 35.3

### PROCESSING CAPACITY

	AW K 8.3	AW K 15.3	AW K 35.3
Filling capacity (kg)	8	15	30-40
Peeling capacity (kg/h)	200	400	500-1200

\*Capacity per peeling process: calculated at a total operating time of more than 8 hours a day.

The figures shown here are for illustration only and may deviate from the actual design version. Technical alterations are reserved.  
For additional accessories please refer to our price list.