

AWBS 150

VEGETABLE CUTTER

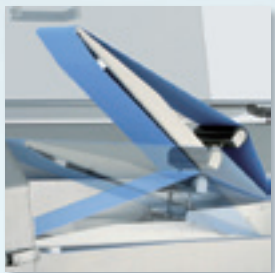


Throughput up to 1200 kg/h

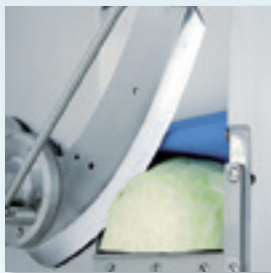
Commercial kitchens

Delicatessen manufactures

Vegetable and lettuce processing industry



Setting of upper conveyor belt according to product



Gentle-touch cutting device ensures precise for clean cuts



Only coarse pre-chopping required thanks to generous in-feed width



Range of tools for a variety of infinitely variable cuts

- Unit made of stainless steel
- 1000 mm belt extension as standard
- Infinitely variable belt regulation, infinitely variable knife speed
- Tools with cutting capacity ranging from 0.5 mm to 90 mm
- Width of cutting shaft and conveyor belt 150 mm, with a working height of 145 mm
- Quick removal of pressure and conveyor belts by simple unlocking without additional tools
- Access by means of a shatterproof, electronically locked transparent hood.
Cropping knife with hardened, exchangeable edge; gentle, precise cuts and self-sharpening.
- Smooth design of conveyor belt area in order to avoid product clusters

CUTTING DISCS AND ACCESSORIES



Curved blade disc,
adjustable 0.5 to 25 mm
335607



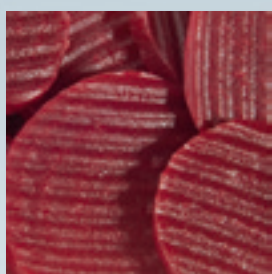
Open two-bladed knife,
stainless steel, up to
90 mm cuts
334325



Slicing discs,
with 4 knives
1.3 mm 334333
3.0 mm 334334
4.0 mm 334332



Strip cutting discs
2.5 x 2.0 mm Juliennes 334327
3.5 x 3.0 mm Juliennes 334328
4.5 x 4.0 mm Juliennes 334458
7 x 7 mm 335603



Crinkle cutting discs
with 4 knives
4 mm 334331



Grating and shredding
discs includes:
supporting disc
3 mm 335762
4 mm 335763



Mobile knife stand
for 6 discs
335485



Mobile preparation
tables with four lockable
castors and cutting
board for two to four
work places
2 work places 335618
4 work places 735 031 000

TECHNICAL DATA

AW BS 150

Power supply belt drive 230 V, (3P + PE)

Output (kW) 0.37

Infinitely variable speed control (rpm) 34

Range of rational speed (rpm) 2-70

Fuse protection (A) 1.25

Power supply knife motor 230 V, (3P + PE)

Output (kW) 1.1

Infinitely variable speed control (rpm) 302

Range of rational speed (rpm) 90-600

Fuse protection (A) 16

Cable 4.5 m, CEE plug

Ingress protection IP 54 (splash-proofed)

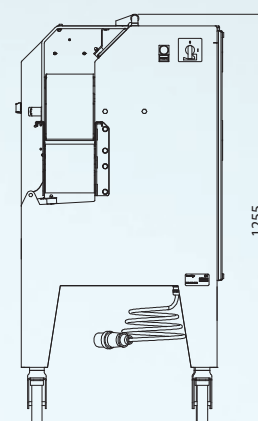
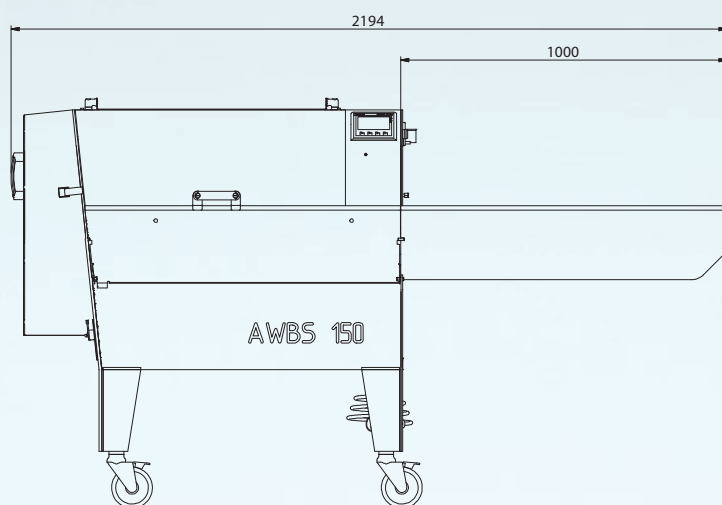
Dimensions (L x W x H) with belt extension 400 1594 x 680 x 1255 mm

Dimensions (L x W x H) with belt extension 1000 2194 x 680 x 1255 mm

Dimensions (L x W x H) with belt extension 1500 2694 x 680 x 1255 mm

Weight (kg) 230

Weight with belt extension (kg) ca. 250



AW BS 150 Vegetable cutter

PROCESSING CAPACITY

Product	Tool name	Cutting length/mm	Throughput/h in kg
Chicory	Open two-bladed knife	5	470
Chinese cabbage	Open two-bladed knife	6	860
Dill	Curved blade disc	1	24
Iceberg lettuce	Open two-bladed knife	6	380
Iceberg lettuce	Open two-bladed knife	20	720
Endive	Open two-bladed knife	3	115
Cucumber	Curved blade disc	2	270
Carrot	Curved blade disc	2	160
Carrot	Strip cutting discs 3 x 3.5 mm	–	320
Carrot	Shredding disc 3 mm	–	360
Carrot	Shredding disc 4 mm	–	420
Potato	Curved blade disc	4	680
Potato	Curved blade disc	6	1000
Turnip cabbage	Strip cutting disc 3 x 3.5 mm	–	600
Turnip cabbage	Strip cutting disc 7 x 7 mm	–	1035
Spring onion	Curved blade disc	1	240
Pepper	Curved blade disc	4	210
Pepper	Curved blade disc	6	330
Petersilie	Curved blade disc	1	20
Leek	Curved blade disc	2	180
Radicchio	Open two-bladed knife	6	310
Radish	Curved blade disc	2	340
Salad	Open two-bladed knife	25	1000
Chives	Open two-bladed knife	1	25
Chives	Open two-bladed knife	3	80
Celery	Strip cutting disc 3 x 3.5 mm	–	490
Celery	Shredding disc 3 mm	–	800
Celery	Shredding disc 4 mm	–	1020
Tomato	Curved blade disc	4	300
Tomato	Curved blade disc	6	440
Cabbage	Strip cutting discs with 4 knives	1.3	500
Cabbage	Curved blade disc	1.5	160
Wirsing	Open two-bladed knife	8	440
Onion	Curved blade disc	4	520

The values specified are average values and can be doubled by increasing the knife and beltspeed.

The figures shown here are for illustration only and may deviate from the actual design version. Technical alterations are reserved. For additional accessories please refer to our price list.