

„Teddy“ AWR 5

PLANETARY STIRRING AND BEATING UNIT

GASTRONOMY/ BAKERIES/ LABORATORIES



At a glance:

- Versatile, movable table model
- Hygienic, easy-to-clean stainless steel tools
- Fully adjustable speed regulation
- Low noise 300 watt motor with overload protection
- Easy to clean thanks to smooth surfaces
- Housing cast aluminium
- Available in 4 colours (red, white, black, gray)



red



white



grey



black



5 l stirring bowl, stainless steel
with white plastic lid
15 00 206*

*included



Beating whisk, stainless steel
with Ø 2,5 mm wires
15 00 228*

*included



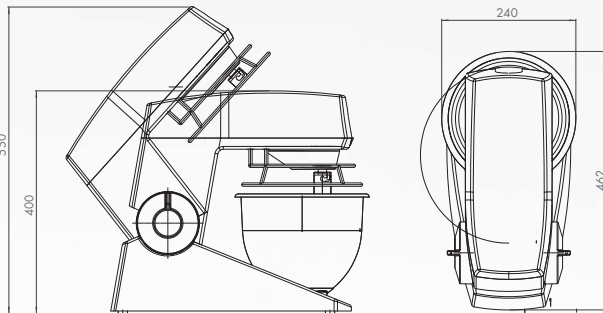
Stirrer, stainless steel
15 00 227*

*included



Kneader, stainless steel
15 00 205*

*plastic splash guard and
feeding chute (not pictured)
*included



„Teddy“ AW R 5

Technical Data

Capacity (l)	5
Power supply	230 V, 50/60 Hz 1,5 m cable with CEE-plug
Output (kW)	0,3
Rotational speed (rpm)	78 - 422
Dimensions (L x B x H)	240 x 462 x 400 mm (max. 550 mm)
Weight (kg)	18
Reduced bowl size (l)	—

Processing Capacity

Product	tool	max. quantity
Bread dough (50%) kg	kneader	2,5
Cake base (kg)	stirring whisk	1
Egg white (l)	stirring whisk	0,7
Madeira Cake/Muffins (kg)	stirrer	2,5
Mayonnaise (l)	stirring whisk	4,4
Mashed potatoes (kg)	stirring whisk	2,5
Cream (l)	stirring whisk	1,5

The pictures shown here are for illustration only and may deviate from the actual design version. Technical alterations are reserved. For additional accessories please refer to our price list.

Accessories Technical Data