

AWK RANGE

POTATO WASHING AND PEELING MACHINES

GASTRONOMY / CANTEENS /
COMMERCIAL KITCHENS / FOOD
INDUSTRY

At a glance:

- Solid, stable, rustproof design
- Safety switch-off of the cover (motor stop according to EU standard)
- Water saving regulation (Water supply only with engine running)
- Choice of peeling processes with automatic peeling times
- Rubber-lined interior with cushioning effect ensures gentle processing



Accessories



Perforated peeling discs
Surface slightly uneven, minimal browning, longer peeling time.



Peeling disc with fitted blades
smooth surface, peeled hand quality, more waste, hardly any browning, shorter peeling time.



Corundum peeling disc,
ideal for peeling tuber vegetables
Rough surface, minimal peeling waste, quick browning, short peeling time.

**PEELING
AND WASHING
OF TUBERS, E.G.
POTATOES,
BEETROOT ETC**

AW K 8.3

For 100 to 600 servings a day



Included:

- Standard bowl outlet to the left, incl. turning wing and supporting disc
- Perforated peeling disc no. 0, 1 and 2

AW K 15.3

For 500 to 1000 servings a day



Included:

- Standard bowl outlet to the left, incl. turning wing and supporting disc
- Perforated peeling disc no. 0, 1 and 2

AW K 35.3

From 1000 servings a day

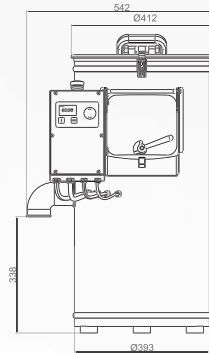


Included:

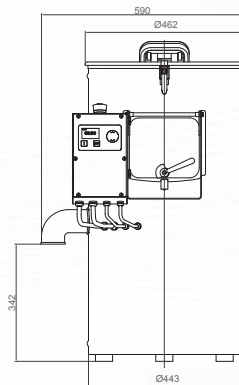
- Standard bowl outlet to the left, incl. turning wing and supporting disc
- Perforated peeling disc no. 0, 1 and 2

Technical Data

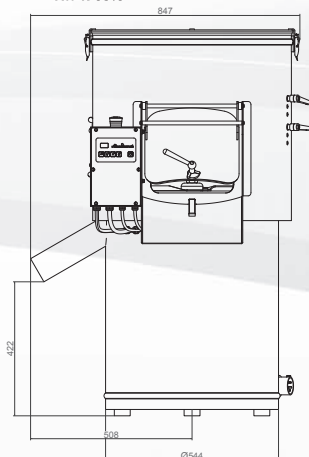
AW K 8.3



AW K 15.3



AW K 35.3



Technical Data

	AW K 8.3	AW K 15.3	AW K 35.3
Power supply	400 V, 50 Hz 3 m cable with CEE Euro plug, 5 p	400 V, 50 Hz 3 m cable with CEE Euro plug, 5 p	400 V, 50 Hz 2,7 m cable with CEE Euro plug, 5 p
Water connection	Tube R 1/2"	Tube R 1/2"	Tube R 1/2"
Putput (kW)	0,43	0,43	2,2
Fuse protection (A)	16	16	16
Ingress protection	IP 54 (splash proof)	IP 54 (splash proof)	IP 54 (splash proof)
Infinitely variable speed control (rpm)	160 / 320	160 / 320	160 / 320
Water consumption approx. l/min	6 - 8	8 - 10	15
Dimensions (L x B x H mm)	542 x 608 x 870	592 x 666 x 934	847 x 892 x 1230
Weight (kg)	45	50	169

Processing Capacity

	AW K 8.3	AW K 15.3	AW K 35.3
Filling capacity (kg)	8	15	30 - 40
Peeling capacity* (kg/h)	200	400	500 - 1200

*Capacity per peeling process: calculated at a total operating time of max. 8 hours a day

The figures shown here are for illustration only and may deviate from the actual design version. Technical alterations are reserved. For additional accessories please refer to our price list.