

# AW RS 300 S

**GRATER SHREDDER, MODULE-BASED**  
FOOD-/ DELICATESSEN INDUSTRY

**At a glance:**

- Modular building concept, easy to use
- For grating, shredding, loosening and granulating hard raw materials, dry or moist
- Basic machine and components made of stainless steel
- Attachments and Accessories HACCP compliant
- Integration in processing lines
- High-performance motor with automatic safety cut – off switch
- Easy – to – use for change of attachments without special tools
- FU regulated



The geometry of the numerous, inward-facing blades of the shredding cylinder determines the geometry of the final product



A rotating carrier wing presses the raw material up against the inside of the grating or shredding cylinder. It is then crushed and the final product leaves the cylinder through the holes.



Several special executions or customization of designs are available on request

# Accessories



Carrier wing, stainless steel  
143943  
Carrier wing Special design consists of:  
carrier wing modified, with screw cap with  
plate, stainless steel  
1008405



Grating cylinders, stainless steel  
1 mm, all around perforated 930 070 111  
1,5 mm, all around perforated 930 070 112  
1,5 mm, special perforation  
e.g. for Parmesan 930 070 113



Grating cylinders, stainless steel  
2 mm all around perforated 930 070 211  
2 mm, special perforation  
e.g. for Parmesan 930 070 212



Grating cylinders, stainless steel  
3 mm, all around perforated 930 070 311  
4 mm, all around perforated 930 070 411  
6 mm, all around perforated 930 070 611



Shredding cylinders, stainless steel  
2 mm, all around perforated 930 071 211  
3 mm, all around perforated 930 071 311



Shredding cylinders, stainless steel  
4 mm, all around perforated 930 071 411  
6 mm, all around perforated 930 071 611



Shredding cylinders, stainless steel  
8 mm, all around perforated 930 071 811  
10 mm, all around perforated 930 071 911  
12 mm, all around perforated 930 071 916



Potato grating cylinder, stainless steel,  
crown toothed  
930 072 011



Potato pancake cylinder, stainless steel  
partly crown-toothed  
930 072 012

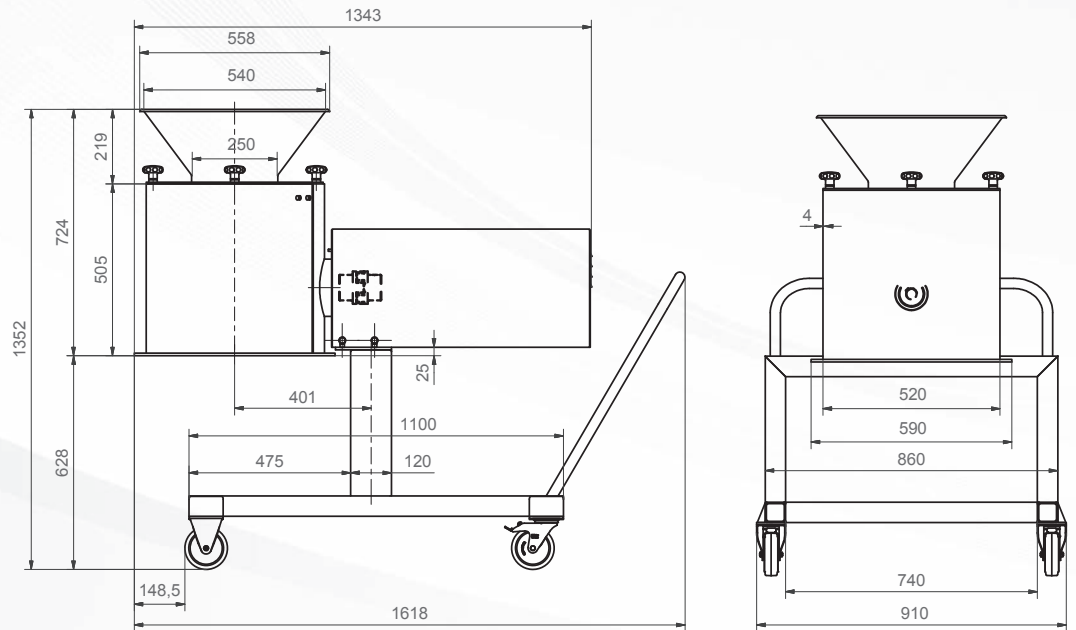
# Technical Data



## Technical Data

|   |  |
|---|--|
| Power supply                            | 400 V, 50 Hz, cable with CEE-plug, 5-p                       |
| Output (kW)                             | 5,5  |
| Infinitely variable speed control (rpm) | 32   |
| Ingress protection                      | IP 65  |
| Infinitely variable speed control (rpm) | -180   |
| Dimensions (L x B x H mm)               | 1345 x 590 x 725<br>(without trolley, without control panel) |
| Weight (kg)                             | 290  |

AW RS 300 S grater shredder



The figures shown here are for illustration only and may deviate from the actual design version. Technical alterations are reserved. For additional accessories please refer to our price list